

Advanced Filter-Bank Multicarrier System for QAM Signal Transmission and Reception

Udit Nigam, Mr. Pratyush Tripathi

Abstract— Due to its various points of interest, orthogonal recurrence division multiplexing (OFDM) has been the broadband remote access innovation of decision for some remote guidelines in the course of the most recent decade. As of late, channel bank based multicarrier systems are rising as one of the distinct options for OFDM for cutting edge broadband remote access systems. In request to fulfill the recommended orthogonality conditions, we perform a sort of piece interleaving for the odd-numbered sub-bearer sifting. The beneficiary structure is the partner to the transmitter. Numerical results appeared that the proposed FBMC-QAM framework has just about the same piece mistake rate (BER) execution contrasted with the FBMC-OQAM what's more, the orthogonal recurrence division multiplexing (OFDM) framework. with the proposed FBMC-QAM, numerous information multiple output transmission plans and channel estimation plans can be used likewise as in OFDM.

Index Terms— Filter-Bank Multicarrier (FBMC), Bit Error Rate (BER), FBMC/OQAM, Multicarrier.

I. INTRODUCTION

The OFDM is the balance plan having multi transporter transmission methods here the accessible range is separated into numerous transporters every one being tweaked at a low rate information stream. The dividing between the transporters is nearer and the bearers are orthogonal to each other avoiding impedances between the firmly dispersed bearers henceforth OFDM can be considered as a blend of balance and multiplexing systems, every bearer in a OFDM signal has exceptionally contract data transmission so the subsequent image rate is low which implies that the sign has high resilience to multi way postpone spread lessening the likelihood of bury image obstruction (ISI) which is the prerequisite throughout today's correspondence systems. spectrum instigate lost the ghastly effectiveness. Channel bank-based multicarrier/counterbalance quadrature adequacy adjustment (FBMC/OQAM) regulations are potential promising possibility for cutting edge frameworks and also 5G frameworks .Undoubtedly, the great recurrence confinement of the model channels utilized in FBMC/OQAM offers to this last the power to a few weaknesses, for example, the timing misalignment between clients .In this paper, we propose a FBMC-QAM framework with two model channels for transmitting QAM signals without the CP, without BER execution corruption. One model channel is utilized for the even-numbered sub-transporter images and the other model channel is utilized for the odd-numbered sub-transporter images. This different sifting makes it conceivable to have the

FBMC framework without the characteristic obstruction. Additionally, we recommend the orthogonality conditions for a FBMC-QAM without the characteristic obstruction. With a specific end goal to fulfill the recommended orthogonality conditions, the proposed FBMC-QAM framework performs a sort of square interleaving for the odd-numbered sub-transporter images after the model separating. The proposed FBMC-QAM framework has an enhanced ghastly productivity against the ordinary OFDM framework with CP, at the very least the measure of the CP size. Besides, the traditional MIMO transmission plans, for example, MLD and Alamouti STBC, can be used with the proposed FBMC-QAM framework. Additionally, the customary channel estimation plans utilized for OFDM framework can be connected to the proposed FBMC-QAM framework comparatively as in OFDM.

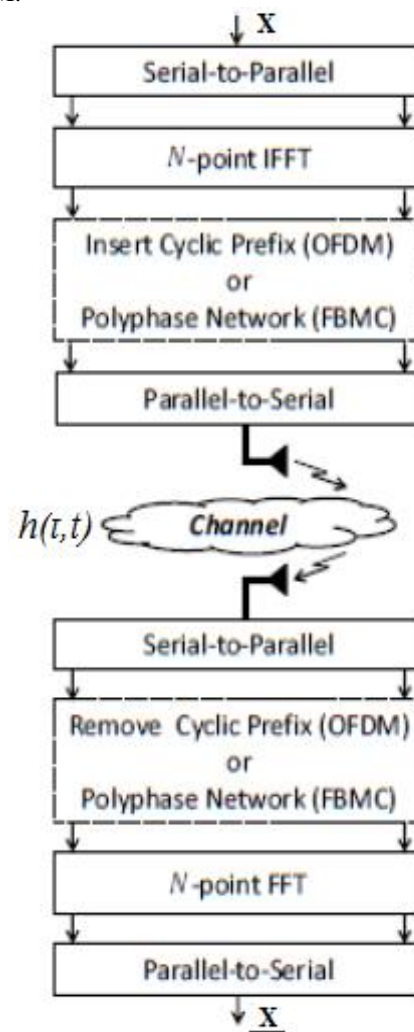


Figure 1 Transmitter and receiver block diagram in PFDM and FBMC

Udit Nigam, Department of Electronics & Communication Engineering, M.Tech Scholar, Kanpur Institute of Technology, Kanpur, India.

Mr. Pratyush Tripathi, Associate Professor, Department of Electronics & Communication Engineering, Kanpur Institute of Technology, Kanpur, India.

As fig.1 shows transmitter/collector block diagram of OFDM and FBMC are fundamentally the same to each other. At the transmitter, inverse fast Fourier transformation (IFFT) operation is trailed by CP insertion in OFDM (to battle with ISI), while it is trailed by a PPN in FBMC. In the same way, CP removal is substituted with PPN in FBMC to separate the data images at the beneficiary. A few other improvements in the course of the most recent two decades have shown low intricacy and productive executions of FBMC, clearing the route for its thought in the cutting edge remote guidelines.

II. ORTHOGONAL RECURRENCE DIVISION MULTIPLEXING (OFDM)

A. OFDM

In OFDM system, bits are mapped to constellation symbols where the modulation and demodulation are, respectively, insured by the inverse fast Fourier transform (IFFT) and the fast Fourier transform (FFT). The time domain of an OFDM symbol calculated with N IFFT point is given by

$$i(t) = \sum_{n=-\infty}^{+\infty} \sum_{m=0}^{N-1} c_{m,n} f(t - nT) e^{j2\pi/Tmt}$$

Where,

- N is the number of subcarriers,
- T is the OFDM symbol period,
- $C_{m,n}$ is a complex-valued symbol transmitted on the m th subcarrier and at the instant nT , and
- $f(t)$ is a rectangular time window, defined by

$$f(t) = \begin{cases} 1/\sqrt{T} & t \in [0, T] \\ 0 & \text{Elsewhere} \end{cases}$$

Considering high values of N and according to the central limit theorem, the IFFT block transforms a set of independent complex random variables to a set of complex Gaussian random ones. In a distortion-free noiseless channel, the received symbol is given by the following equation-

$$\begin{aligned} y_{m0, n0} &= c_{m, n} = i(t), f(t - n_0T) e^{j2\pi/Tm_0t} \\ &= \int_{-\infty}^{+\infty} i(t) f(t - n_0T) e^{-j2\pi/Tm_0t} dt \\ &= \sum_{n=-\infty}^{+\infty} \sum_{m=0}^{N-1} \int_{-\infty}^{+\infty} c_{m, n} f(t - nT) f(t - n_0T) e^{j2\pi/T(m-m_0)t} dt \end{aligned}$$

Where, C_{mn} is the received symbol,

Block Diagram

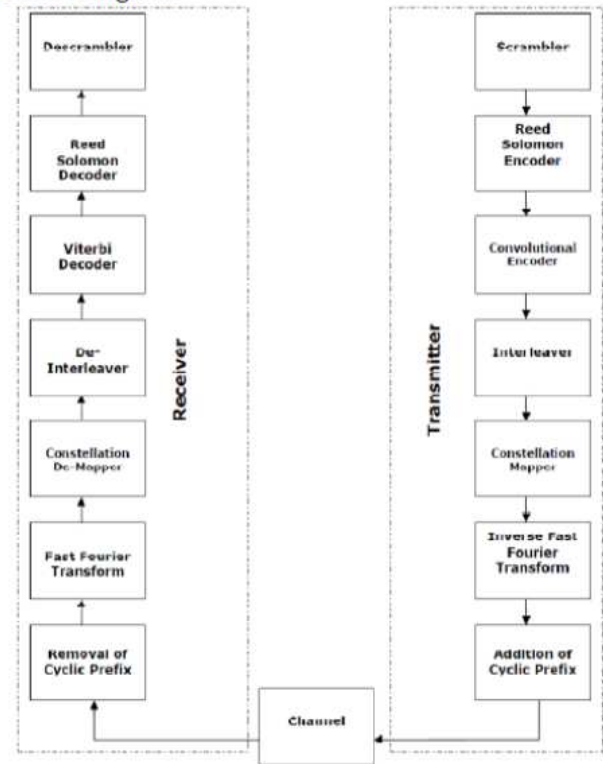


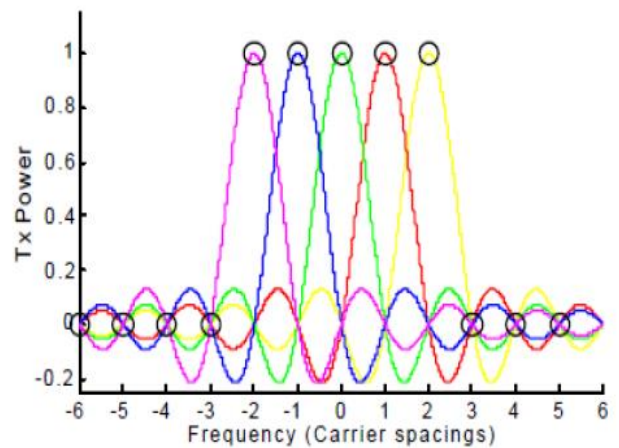
Figure 2 complete OFDM systems

B. ORTHOGONALITY

The key to OFDM is maintaining orthogonality of the carriers. If the integral of the product of two signals is zero over a time period, then these two signals are said to be orthogonal to each other. Two sinusoids with frequencies that are integer multiples of a common frequency can satisfy this criterion. Therefore, orthogonality is defined by:

$$\int_0^T \cos(2\pi n f_0 t) \cos(2\pi m f_0 t) dt = 0 \quad (n \neq m)$$

where n and m are two unequal integers; f_0 is the fundamental frequency; T is the period over which the integration is taken. For OFDM, T is one symbol period and f_0 set to $1/T$. for optimal effectiveness.



(a)

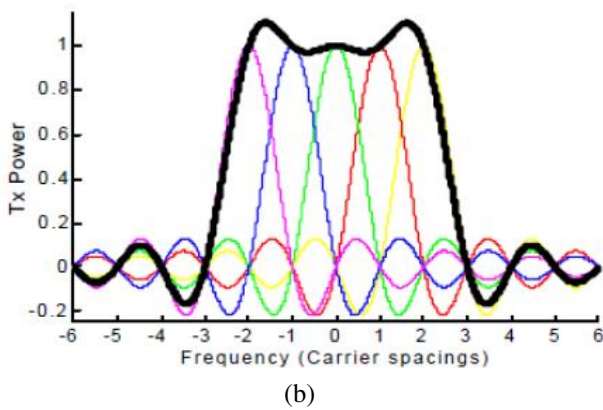


Figure 3 (a) Shows the spectrum of each carrier
(b) Shows the overlap combine response.

C. SCRAMBLER/DESCRAMBLE

Information bits are given to the transmitter as inputs. These bits go through a scrambler that randomizes the bit arrangement. This is done with a specific end goal to make the info arrangement more scatter so that the reliance of information sign's energy range on the genuine transmitted information can be dispensed with. At the collector end descrambling is the last step. Descrambler just recuperates unique information bits from the mixed bits.

D. ENCODER/DECODER

The mixed bits are then encouraged to the Reed Solomon Encoder which is a part of Forward Error Correction (FEC). Reed Solomon coding is a blunder revision coding method. Info information is over-inspected and equality images are figured which are then attached with unique information . long these lines repetitive bits are added to the genuine message which gives resistance against serious channel conditions. A Reed Solomon code is spoken to in the structure RS (n, k), where,

$$n=2^m-1 \quad (1)$$

$$k=2^m-1-2t \quad (2)$$

Here m is the number of bits per symbol, k is the number of input data symbols (to be encoded), n is the total number of symbols (data + parity) in the RS codeword and t is the maximum number of data symbols that can be corrected. At the receiver Reed Solomon coded symbols are decoded by removing parity symbols.

E. CONVOLUTION ENCODER/DECODER

Error-coded bits are further coded by Convolutional encoder. This coder adds redundant bits as well. In this type of coding technique each m bit symbol is transformed into an n bit symbol; m/n is known as the code rate. This transformation of m bit symbol into n bit symbol depends upon the last k data symbols, therefore k is known as the constraint length of the Convolutional code.

F. INTERLEAVER / DE-INTERLEAVER

Interleaving is done to shield the information from burst mistakes amid transmission. Reasonably, the in-coming piece stream is re-masterminded so that neighboring bits are not any more adjoining each other. The information is broken into pieces and the bits inside of a piece are improved. Talking as

far as OFDM, the bits inside of an OFDM image are modified in such a design so that adjoining bits are set on non-nearby subcarriers. To the extent De-Interleaving is concerned, it again revises the bits into unique structure amid gathering.

G. CONSTELLATION MAPPER/DEMAPPING

The Constellation Mapper basically maps the incoming (interleaved) bits onto different sub-carriers. Different modulation techniques can be employed (such as QPSK,BPSK, QAM etc.) for different sub-carriers. The De-Mapper simply extracts bits from the modulated symbols at the receiver.

H. INVERSE FFT/FFT

This is the most important block in the OFDM communication system. It is IFFT that basically gives OFDM its orthogonality. The IFFT transform a spectrum (amplitude and phase of each component) into a time domain signal. It converts a number of complex data points into the same number of points in time domain. Similarly,FFT at the receiver side performs the reverse task i.e. conversion from time domain back to frequency domain.

III. ADDITION/REMOVAL OF CYCLIC PREFIX

Interleaving is done to shield the information from burst mistakes amid transmission. Reasonably, the in-coming piece stream is re-masterminded so that neighboring bits are not any more adjoining each other. The information is broken into pieces and the bits inside of a piece are improved. Talking as far as OFDM,the bits inside of an OFDM image are modified in such a design so that adjoining bits are set on non-nearby subcarriers. To the extent De-Interleaving is concerned, it again revises the bits into unique structure amid gathering.

IV. FILTER BANK MULTICARRIER (FBMC)

Channel bank multi-transporter (FBMC) regulations, and all the more particularly FBMC-Offset quadrature amplitude modulation (OQAM), are seen as an intriguing option to OFDM for future remote correspondence frameworks . The time/recurrence determination of the waveforms is expanded and can be exchanged off bringing about a superior use of the physical assets and possibly in an enhanced strength to time-variation channel attributes also, bearer recurrence balances. Like OFDM, FBMC-OQAM disintegrates the correspondence channel in an arrangement of lower-transmission capacity sub channels that can hence additionally be remunerated at a low unpredictability with a single-tap equalizer. As opposed to OFDM, FBMC-OQAM does not require the expansion of a cyclic prefix and the made subchannels are just roughly level and orthogonal. At the point when the channel recurrence selectivity expands, the FBMC-OQAM framework experiences both between subchannel obstruction and between image impedance on each subchannel, making it important to utilize propelled equalizer structures . Moreover the blend of FBMC-OQAM with SIMO techniques results in an unmanageable impedance term showing up between the reception apparatus streams on neighboring subchannels, that makes the outline of the framework testing. The configuration of SIMO FBMC-OQAM frameworks has set off a great deal of exploration as of late.

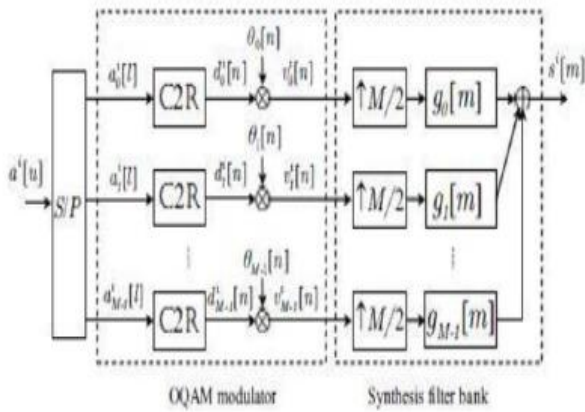


Figure 4 OQAM modulation and synthesis filter bank.

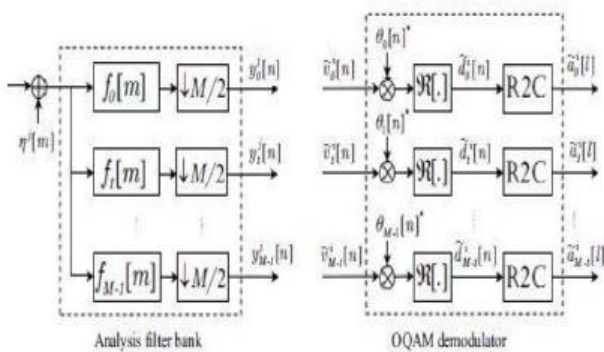


Figure 5 OQAM demodulation and analysis filter bank.

V. SIMO SYSTEM

Let us assume that we have at the receiver side N_r antennas and a single transmit antenna. This communication format is often described as Single-input Multiple-Output (SIMO). Fig. 3.6 gives its representation. If we regroup the received samples from the different receive antennas in a column vector:

$$\mathbf{r} = \mathbf{h}\mathbf{s} + \mathbf{n}$$

where $\mathbf{h} = [h_{11} \ h_{21} \ \dots \ h_{N_r,1}]^T$ is an $N_r * 1$ vector

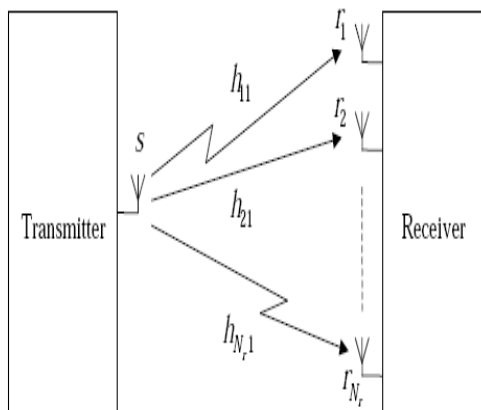


Figure 6 SIMO representation model.

As we are concerned about peb , which depends on SNR_r , maximizing SNR_r after detection, leads to minimize the peb . It is well known that the maximum SNR_r value after detection is achieved thanks to the matched filter:

$$\hat{s} = \frac{\mathbf{h}^H}{\|\mathbf{h}\|^2} \mathbf{r} = s + \frac{\mathbf{h}^H}{\|\mathbf{h}\|^2} \mathbf{n}$$

Then peb is given by:

$$P_{eb} = Q(\sqrt{\|\mathbf{h}\|^2 SNR_r}),$$

Where,

$$\|\mathbf{h}\|^2 = \sum_{i=1}^{N_r} |h_{i1}|^2$$

Assuming that h_{i1} are zero-mean *i.i.d.* Rayleigh random variables with variances equal to one, the distribution of $\|\mathbf{h}\|^2$ is chi-squared with $2N_r$ degrees of freedom, expected value of N_r , and variance equals to $2N_r$.

VI. RESULTS

BIT ERROR RATE

One of the changes that modern digital communications systems have brought to radio engineering is the need for end-to-end performance measurements. The measure of that performance is usually bit-error rate (BER), which quantifies the reliability of the entire radio system from “bits in” to “bits out” including the electronics, antennas and signal path in between.

On the surface, BER is a simple concept— its definition is simply:

$$BER = \text{Errors} / \text{Total Number of Bits}$$

With a strong signal and an unperturbed signal path, this number so small as to be insignificant. It becomes significant when we wish to maintain a sufficient signal-to-noise ratio in the presence of imperfect transmission through electronic circuitry (amplifiers, filters, mixers, and digital/analog converters) and the propagation medium (e.g. the radio path or optical fiber).

The simulation results obtained for BER implementation using the OFDM, FBMC and FBMC-OQAM technique. The system parameters for comparative simulations are listed in Table 1.

Table 1 Simulation Parameters

Simulation Parameters	Specifications
Number of OFDM symbols	1000000
Number of subcarriers	2048
Overlapping Factor	K = 2, 3, 4
Complex modulation	QPSK
CP size for OFDM	48

The following graph shows the Bit Error Rate (BER) performance for OFDM, FBMC-OQAM & proposed FBMC-QAM using AWGN channel and proposed method is better.

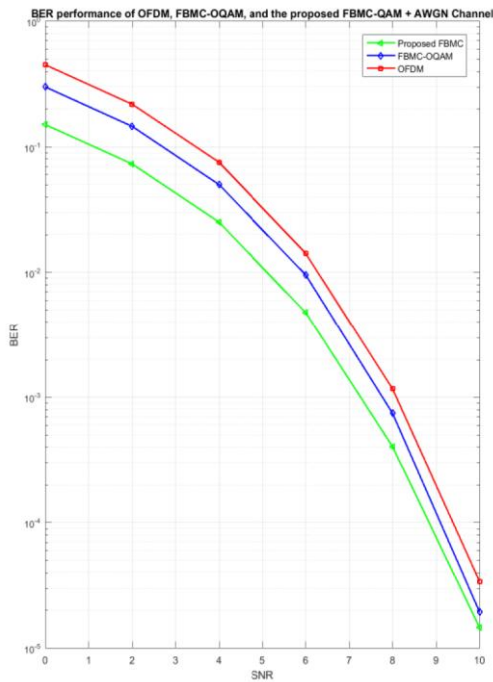


Figure 7 The BER performance of OFDM, FBMC-OQAM & proposed FBMC-QAM for AWGN channel

The following graph shows the Bit Error Rate (BER) performance for OFDM, FBMC-OQAM & proposed FBMC-QAM using Fading channel and proposed method is better.

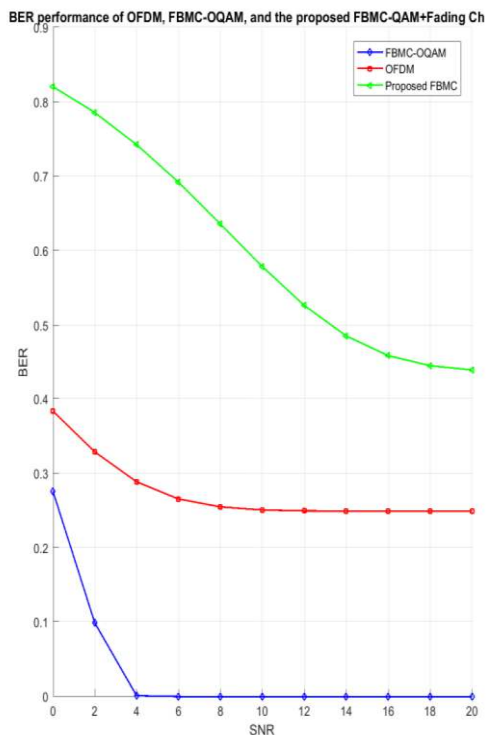


Figure 8 The BER performance of OFDM, FBMC-OQAM & proposed FBMC-QAM for fading channel

The following graph shows frequency response of prototype filter for FBMC.

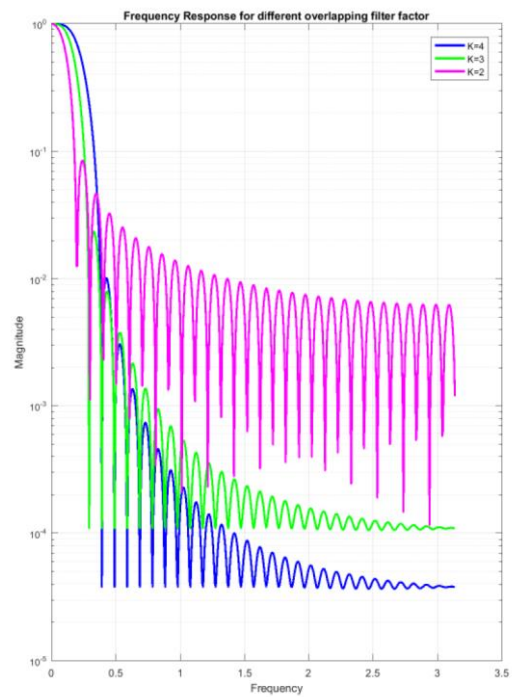


Figure 9 The Frequency response of Prototype Filter for FBMC

The following figure shows the power spectrum of FBMC method with Prototype Filter K = 4. It explains about the less power consumption of FMBC techniques than OFDM.

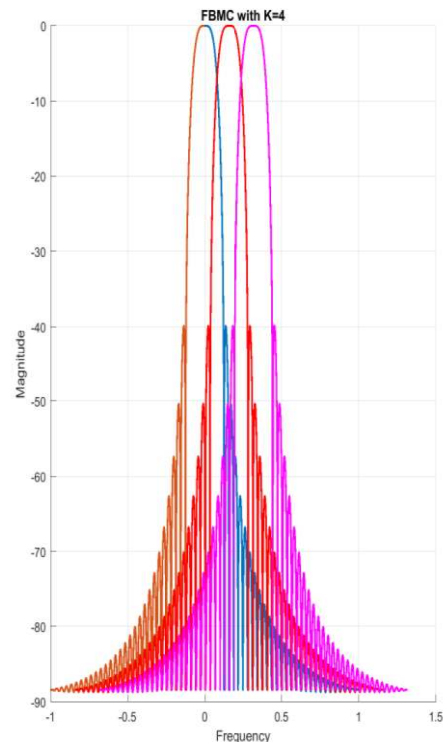


Figure 10 The power spectrum graph for FBMC

The following figure shows the power spectrum of OFDM method with Prototype Filter K = 4.

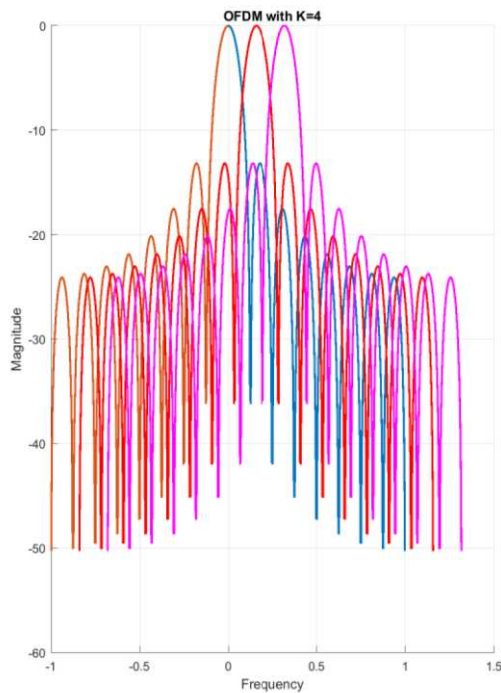


Figure 11 The power spectrum graph for OFDM

In Figure 10 and Figure 11 the performance of power consumption and shows that FBMC technique consumes less power than OFDM technique.

VII. CONCLUSION

This paper proposed the FBMC-QAM framework which can transmit the QAM images through the different sifting for the even-numbered sub-transporter images and the odd-numbered sub-transporter images. Likewise, the orthogonality conditions for the FBMC-QAM framework without the characteristic impedance was proposed. To fulfill the orthogonality conditions, we perform a sort of square interleaving system for the odd-numbered sub-transporter images after the sifting. Our numerical results demonstrate that the BER exhibitions of the proposed FBMCQAM are nearly the same as those of the traditional OFDM also, FBMC-OQAM frameworks. Additionally, the proposed FBMC-QAM framework has an enhanced phantom productivity since the proposed FBMC-QAM framework don't require the CP. Moreover, SIMO transmission plans can be used with the proposed FBMC-QAM framework. Additionally, the traditional channel estimation plans utilized for OFDM framework can be connected to the proposed FBMC-QAM framework comparably as in OFDM.

REFERENCES

- [1] Evolved Universal Terrestrial Radio Access (E-UTRA); Physical Channels and Modulation, 3GPP Std. TS 36.211. [Online]. Available: <http://www.3gpp.org/ftp/pecs/html-info/36211.htm>
- [2] P. Siohan, C. Siclet, and N. Lacaille, —Analysis and design of OFDM/OQAM systems based on filterbank theory,| IEEE Trans. Signal Process., vol. 50, no. 5, pp. 1170-1183, May. 2002.
- [3] M. Bellanger, —Specification and design of a prototype filter for filter bank based multicarrier transmission,| in Proc. IEEE Int. Conf. Acoustics, Speech, and Signal Processing., vol. 4, pp. 2417-2420, May. 2001.
- [4] B. Farhang-Boroujeny, —OFDM versus filter bank multicarrier,| IEEE Signal Process. Mag., vol. 28, no. 3, pp. 92-112, May. 2011.

- [5] A. Sahin, I. Guvenc, and H. Arslan, —A Survey on Prototype Filter Design for Filter Bank Based Multicarrier Communications,| Online: <http://arxiv.org/pdf/1212.3374.pdf>.
- [6] R. Zakaria, D. Le Ruyet and M. Bellanger, —Maximum likelihood detection in spatial multiplexing with FBMC,| in Proc. 2010 European Wireless Conf., pp. 1038-1041, April. 2010.
- [7] M. Renfors, —FBMC and the Alamouti scheme,| in proc. of European Wireless conference (EW 2010), Lucca, Italy., pp. 12-15, April. 2010.
- [8] C. Lele, —Iterative scattered-based channel estimation method for OFDM/OQAM,| in EURASIP Journal on Advances in Signal Processing., 42, 2012.
- [9] C. LTIT, P. Siohan and R. Legouable —Channel estimation with scattered pilots in OFDM/OQAM,| in SPAWC 2008, Recife, Brazil., pp. 286-290, Jun. 2008.
- [10] R. Zakaria and D. Le Ruyet, —On maximum likelihood MIMO detection in QAM-FBMC systems,| in Proc. IEEE 21st Int. Symp. Pers. Indoor and Mobile Radio Commun. (PIMRC)., pp. 183-187, Sep. 2010.
- [11] R. Zakaria and D. Le Ruyet, —A novel filter-bank multicarrier scheme to mitigate the intrinsic interference: Application to MIMO systems,| IEEE Trans. Wireless Commun., pp. 1112-1123, Mar. 2012.

Udit Nigam, M.Tech Scholar, Department of Electronics & Communication Engineering, Kanpur Institute of Technology, Kanpur, India.

Mr. Pratyush Tripathi, Associate Professor, Department of Electronics & Communication Engineering, Kanpur Institute of Technology, Kanpur, India.